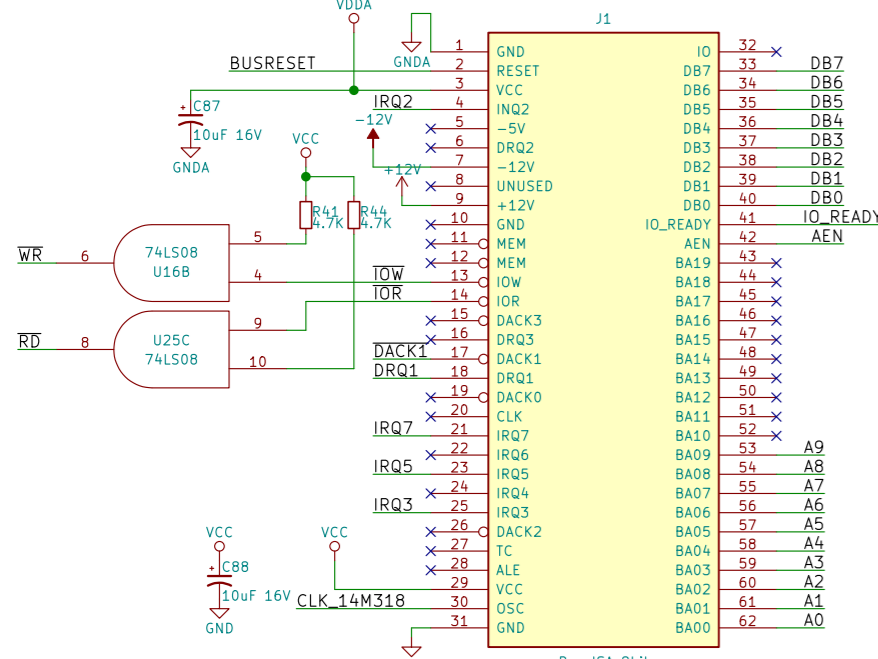
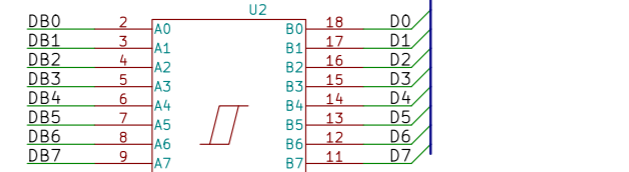


8-BIT ISA BUS

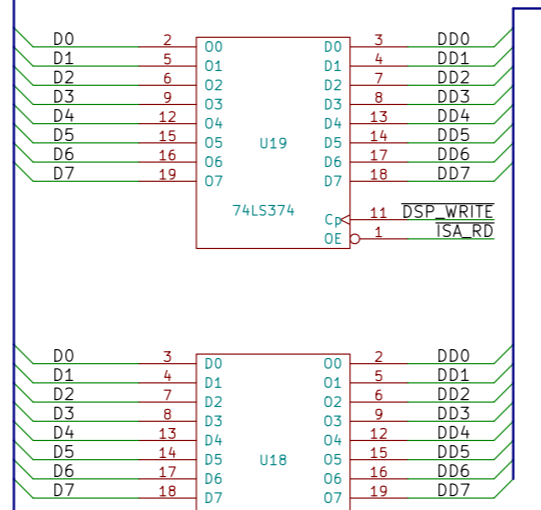


ISA DATA BUS BUFFER

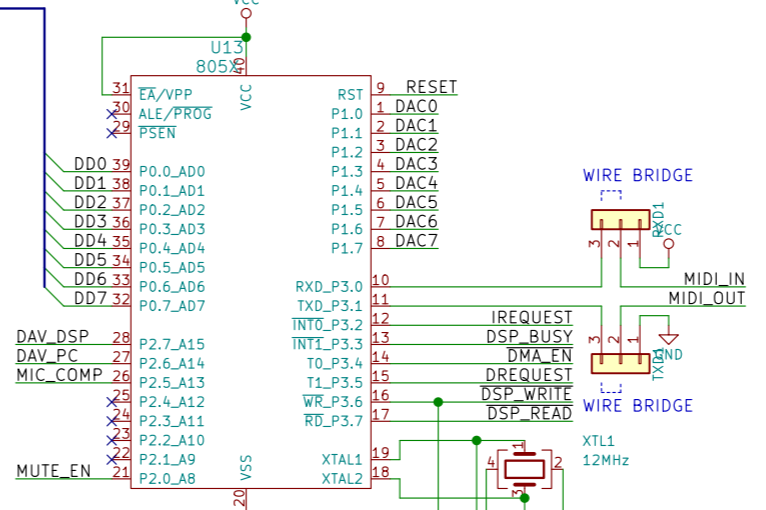


SNARK BARKER

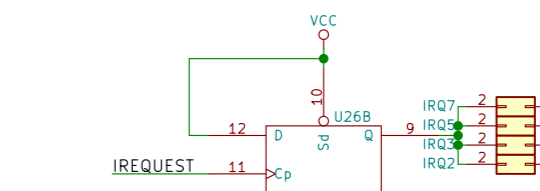
BIDIRECTIONAL DSP BUS LATCH



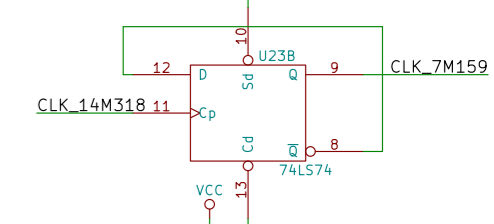
DIGITAL SOUND PROCESSOR



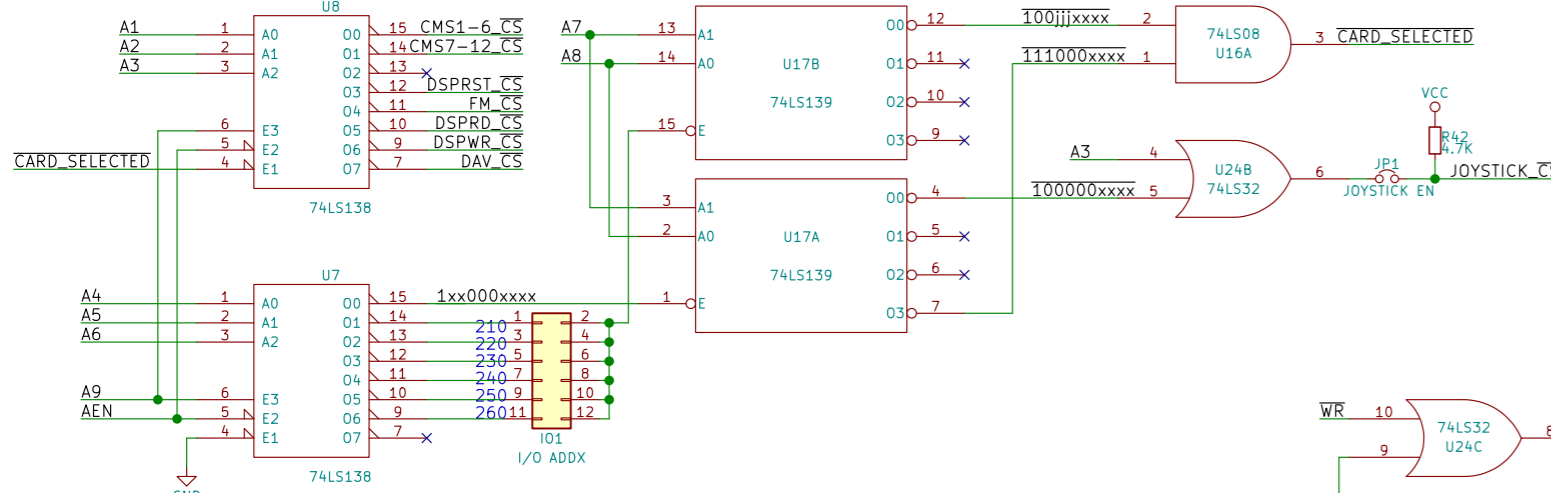
INTERRUPTS



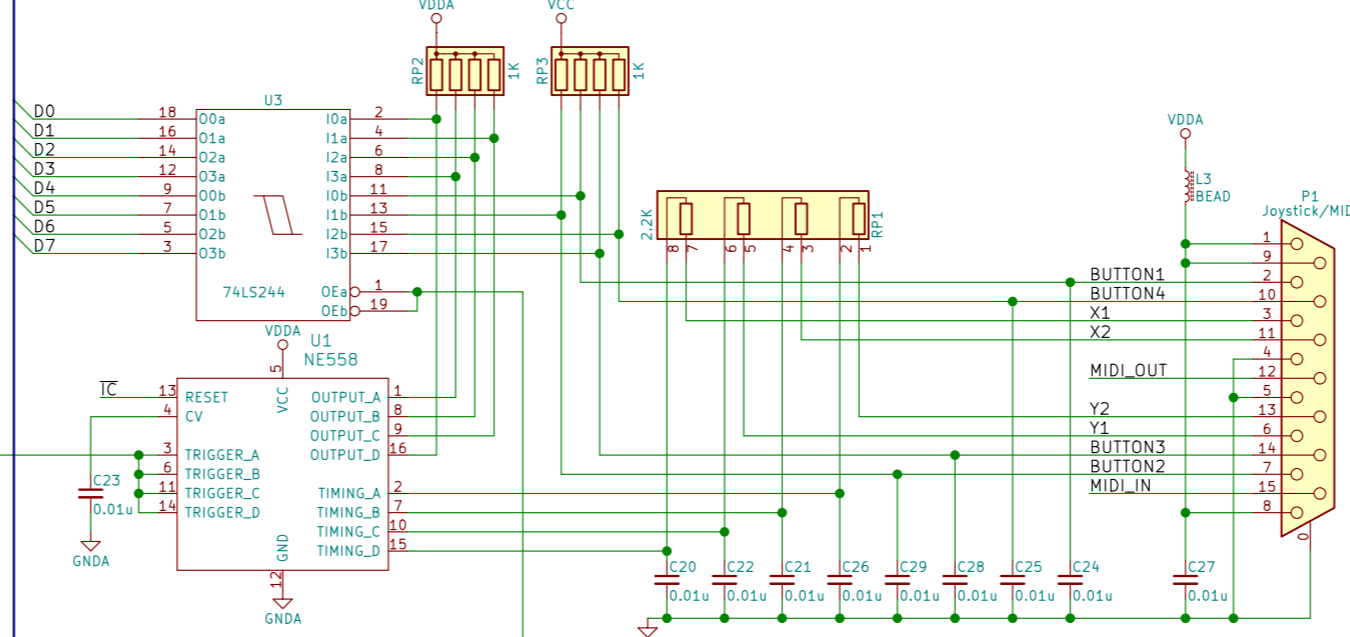
CLOCK DIVIDERS



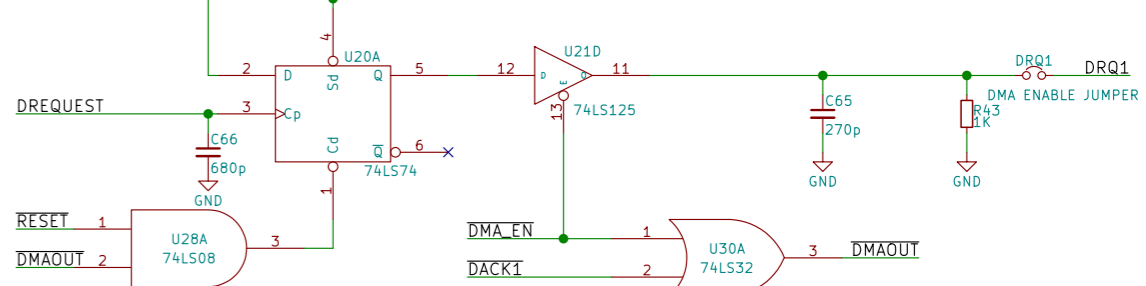
ADDRESS DECODERS



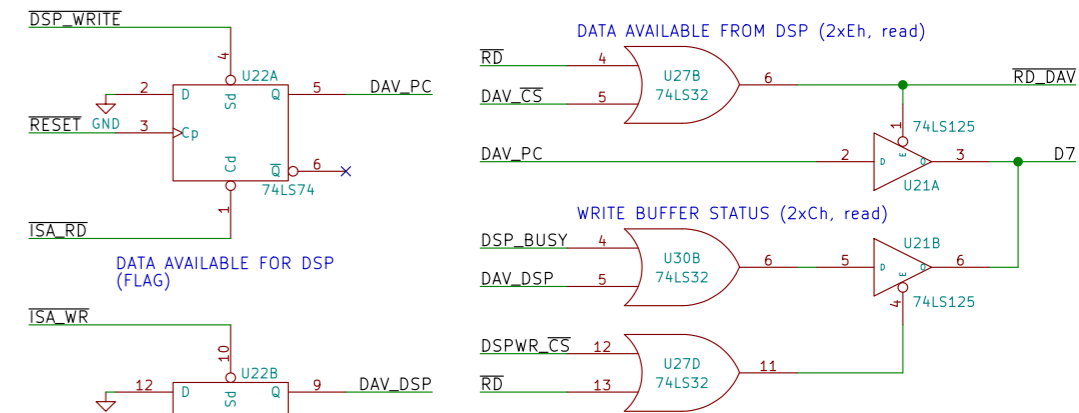
JOYSTICK CIRCUIT



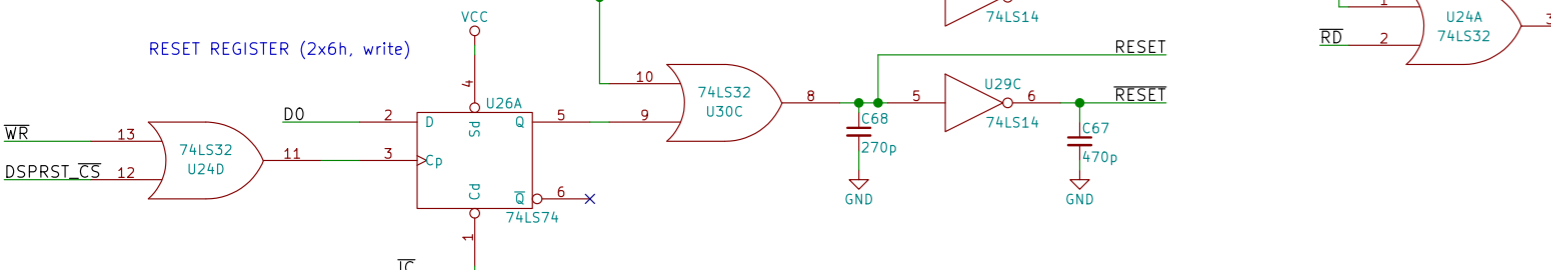
DMA REQUEST LATCH AND CONTROL



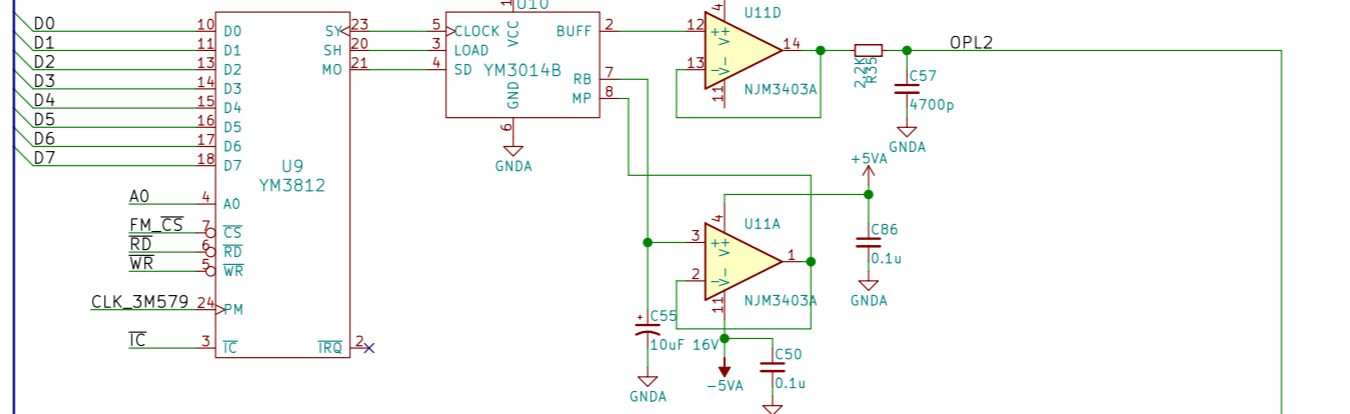
FLAG REGISTERS



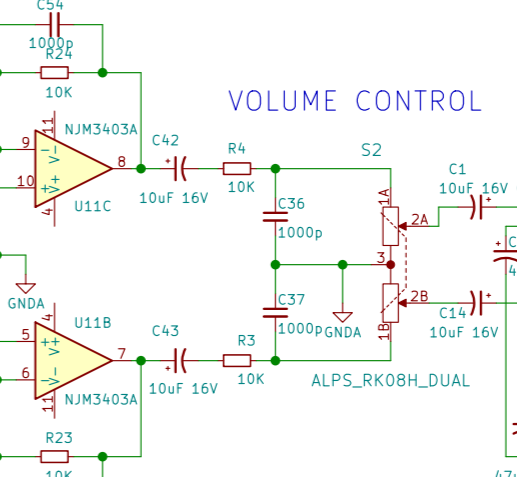
RESET CIRCUIT



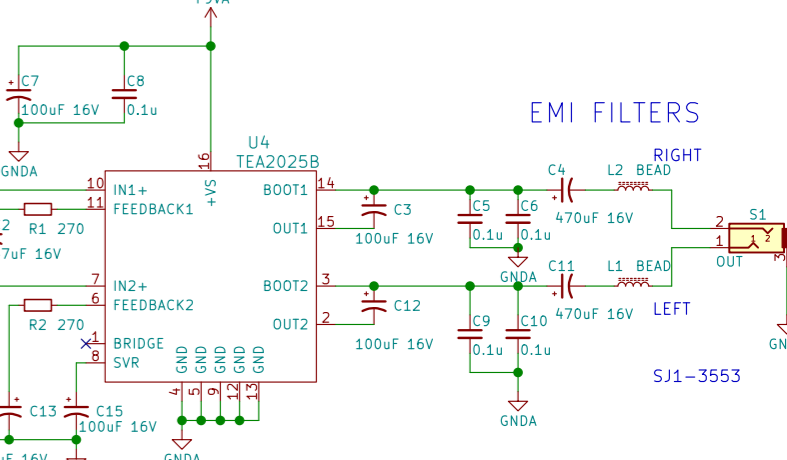
OPL2 SYNTH



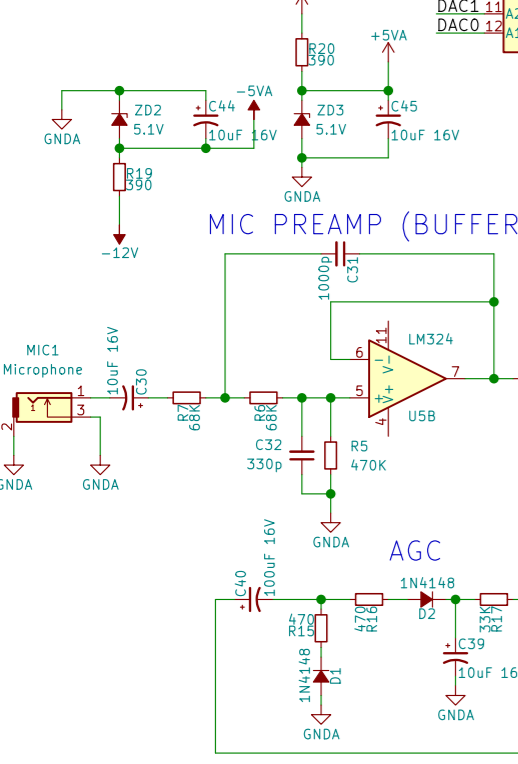
MIXER



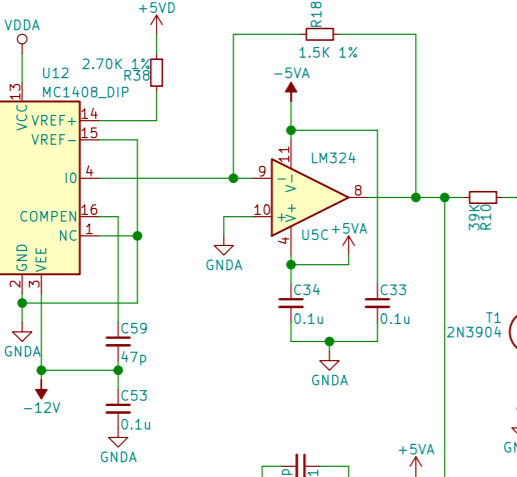
AUDIO POWER AMPLIFIER



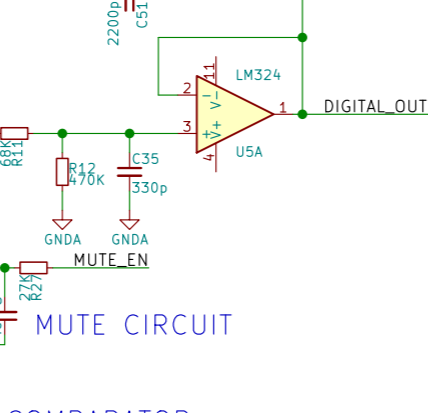
LOW NOISE POWER SUPPLIES



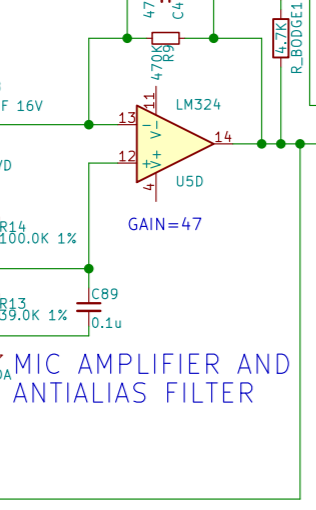
AUDIO DAC



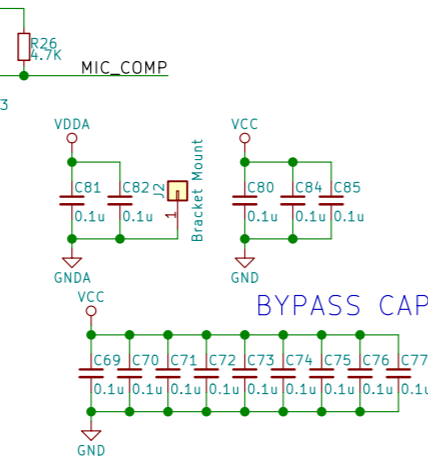
ANTIALIAS FILTER (OUTPUT)



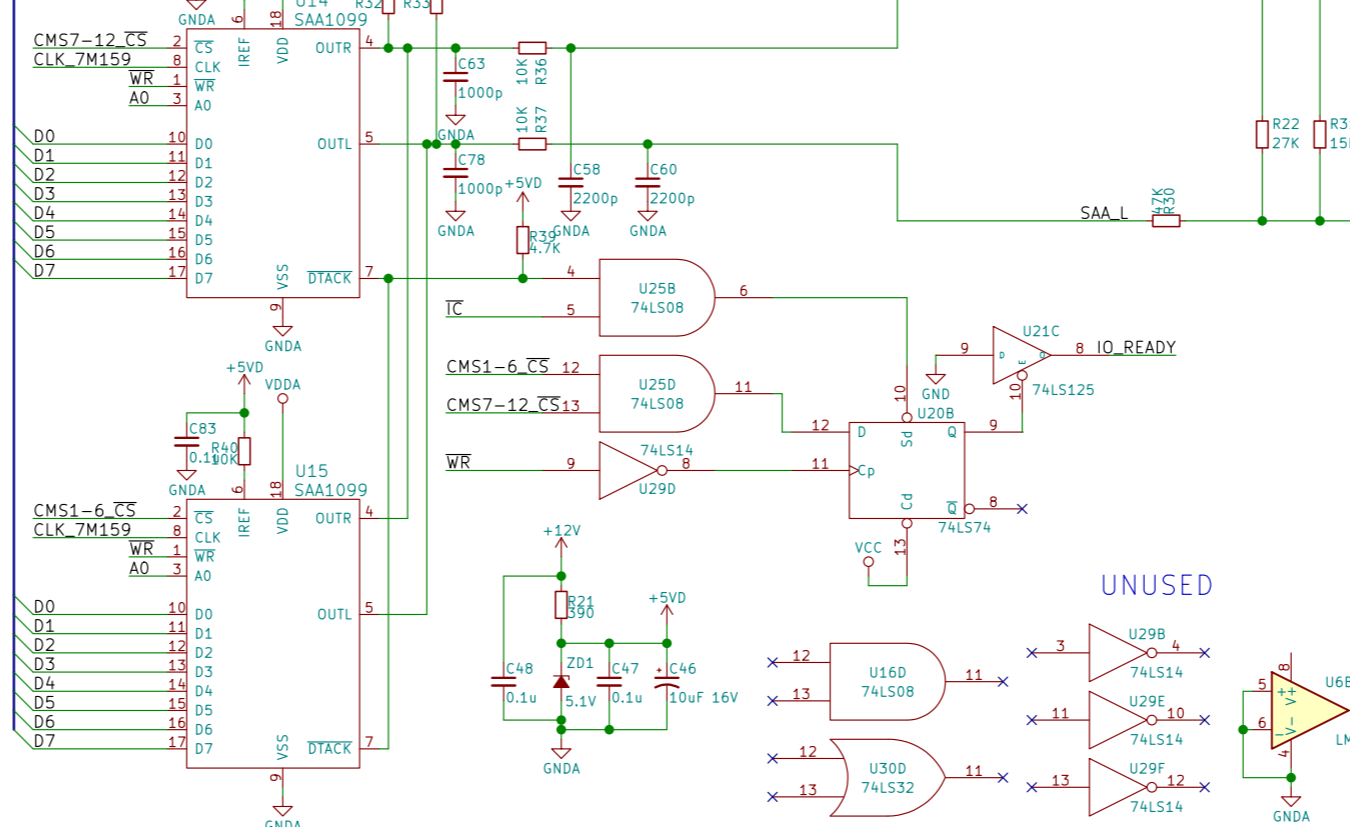
MIC PREAMP (BUFFER)



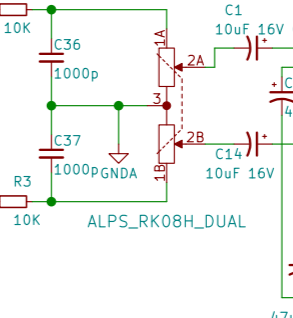
COMPARATOR



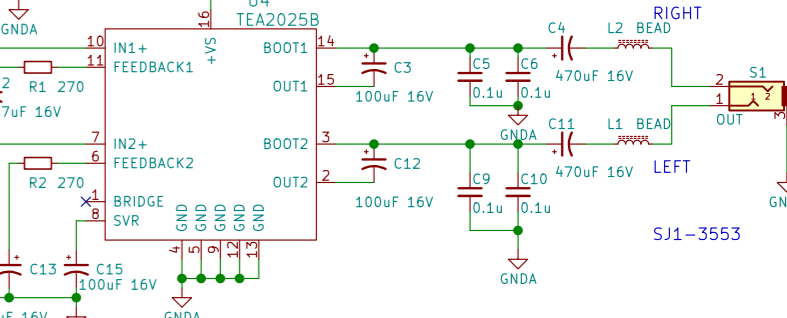
CREATIVE CMS MUSIC CHIPS



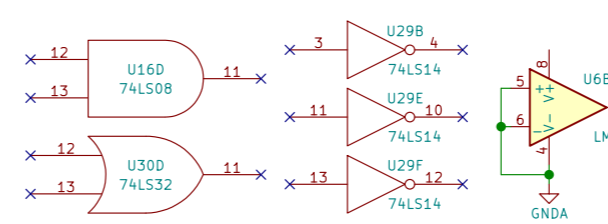
VOLUME CONTROL



EMI FILTERS



UNUSED



This work is licensed under the Creative Commons Attribution-ShareAlike 4.0 International License. To view a copy of this license, visit https://creativecommons.org/licenses/by-sa/4.0/ or send a letter to Creative Commons, PO Box 1866, Mountain View, CA 94042, USA.